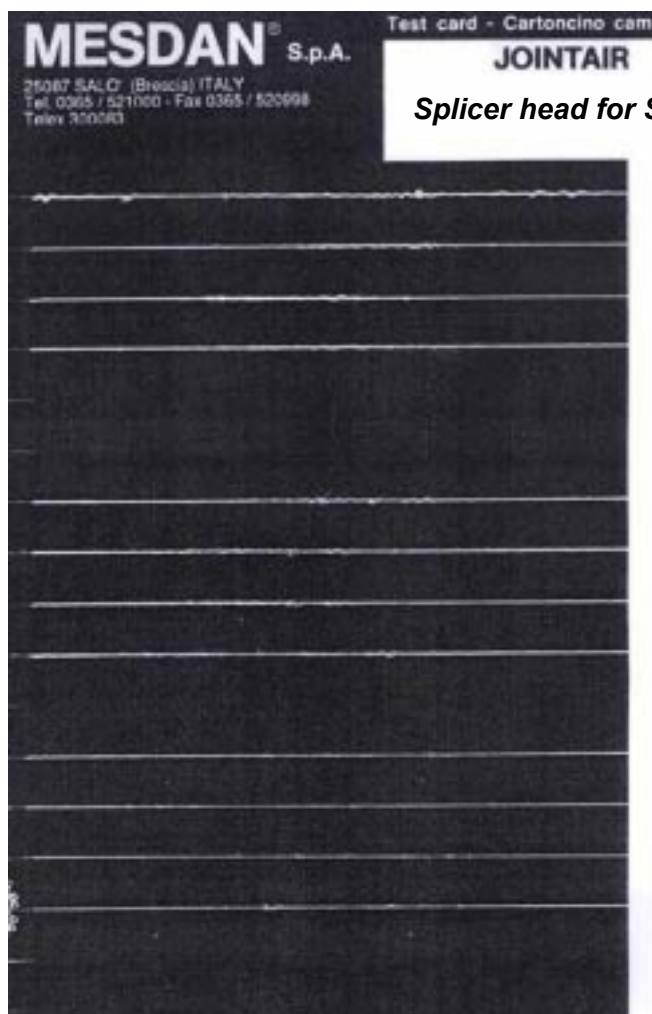
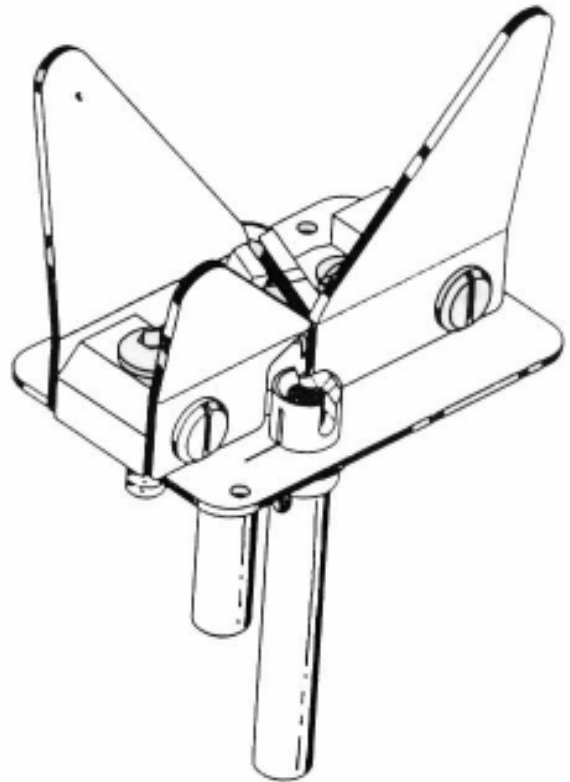


## TABLE A

The splicer is supplied already pre-assembled in the following parts:

- a) chamber support + chamber + yarn guides
- b) preparation tubes
- c) plate
- d) 2 fixing screws

*Special covers (width 13 mm) on request*



**Splicer head for Schlafhorst**

*Schlafhorst splicer DZ3  
(on Cotton Ne20 + 156 Dtex Lycra)*

*Mesdan Splicer head  
(on Cotton Ne20 + 156 Dtex Lycra)*

*Mesdan Splicer head  
(on Polyester Ne20 + 78 Dtex Lycra)*